

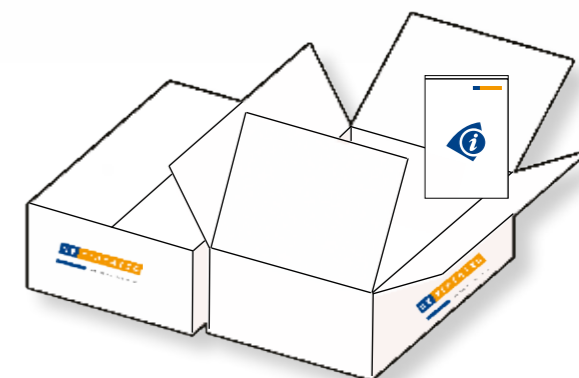
Double suspension

2 std SafeTrack bulbs

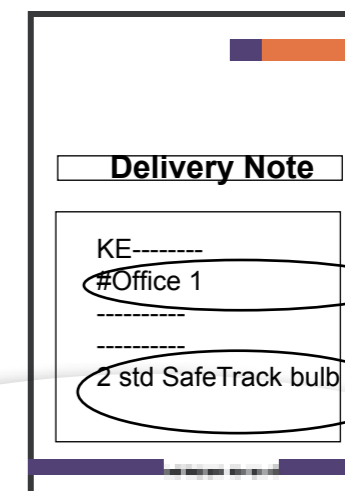
*See further sizing details on enclosed project drawings, if any, and also see delivery note (packing list) and read off position description.

SafeTrack - Dual Arch

General rules

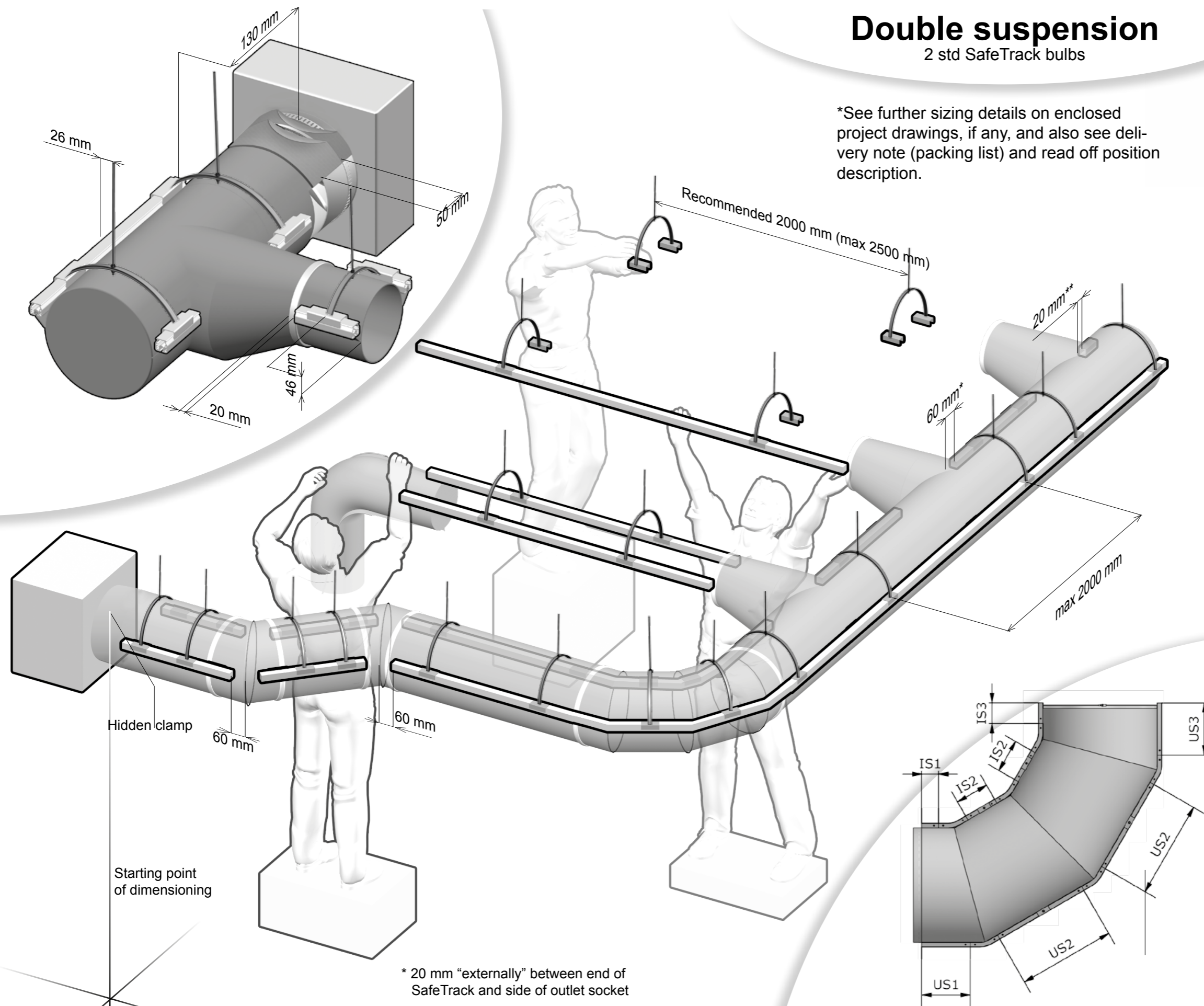


Please find information on delivery and installation in the box labelled INFO.



Room reference

Suspension type



* 20 mm "externally" between end of SafeTrack and side of outlet socket

** 60 mm "internally" between end of SafeTrack and side of outlet socket

Check mounting instruction 0980021 for further information.

Alu-rails labelled with a saw symbol do not require further trimming.

0980017-GB

Dual SafeTrack Options

SafeTrack - Dual Arch

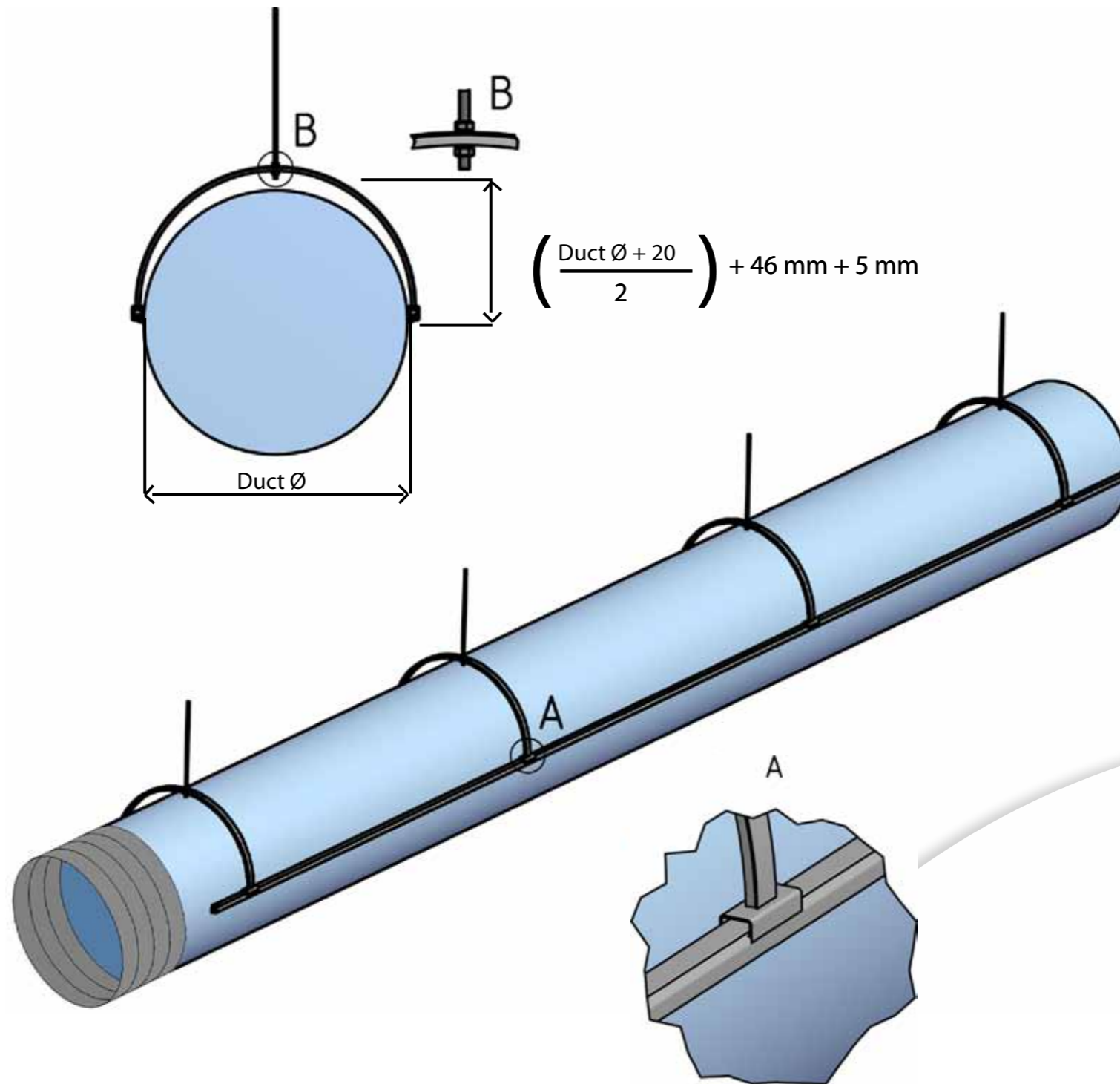
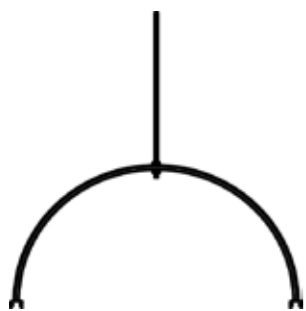
Ring



Eye bolt



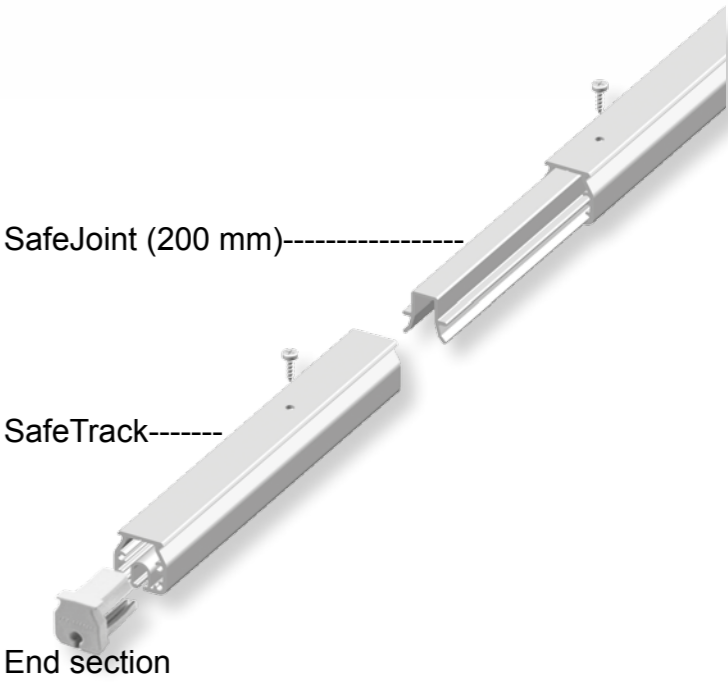
Thread bar



SafeJoint (200 mm)

SafeTrack

End section



Upon assembly, the SafeTrack is clicked into the alu-suspension.